

**SARACINESCA CUNEO GOMMATO**  
**SOFT SEATED GATE VALVE**

**PN 10 - Art. A020 T**  
**PN 16 - Art. A021 T**

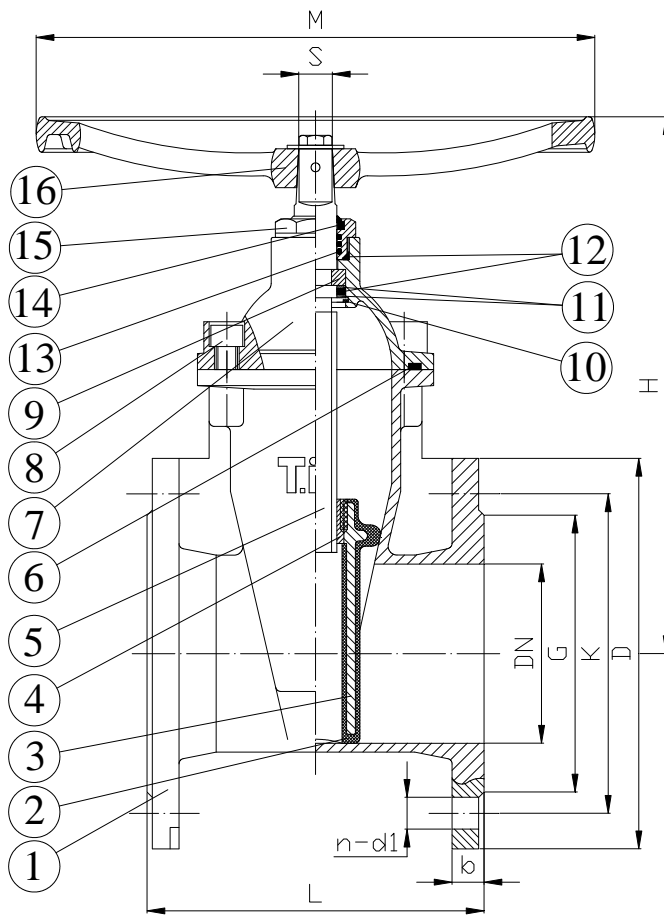
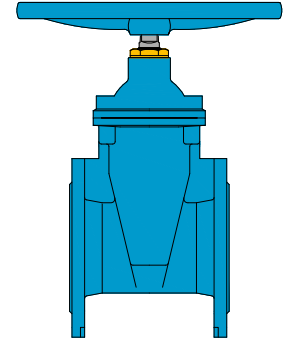
**SARACINESCA CUNEO GOMMATO PN10/16 CORPO PIATTO**  
**SOFT SEATED GATE VALVE PN10/16 SHORT BODY**

**APPLICAZIONE:**

Fornitura e distribuzione acqua, trattamento acque reflue e sistemi fognari, settori industriali.

**APPLICATION:**

Water supply and distribution, waste water treatment and sewerage.



**NORMA PROGETTO:**

EN 1171

EN 1074-2

**SCARTAMENTO:**

EN 558-1 Serie14

**FLANGE:**

EN 1092-2

**COLLAUDI:**

EN 12266

**TEMPERATURA ESER:**

EPDM ≤ 70°C

**DESIGN STANDARD:**

EN 1171

EN 1074-2

**FACE TO FACE:**

EN 558-1 Serie14

**FLANGES:**

EN 1092-2

**TESTS:**

EN 12266

**WORKING TEMP:**

EPDM ≤ 70°C

	DENOMINAZIONE PART	MATERIALI MATERIALS
1	CORPO BODY	GJS 500 GJS 500
2	RIVESTIMENTO CUNEO WEDGE	GOMMA EPDM EPDM COATED
3	STRUTT. CUNEO CORE	GJS 500 GJS 500
4	MADREVITE STEM NUT	OTTONE BRASS
5	ASSE STEM	ACCIAIO INOX AISI 420 STAINLESS STEEL AISI 420
6	GUARNIZIONE GASKET	GOMMA EPDM EPDM RUBBER
7	CAPPELLO BONNET	GJS 500 GJS 500
8	VITE SCREW	ACCIAIO ZINCATO GALVANIZED STEEL
9	ANELLO HOLDING RING	OTTONE BRASS
10	SIEGER SIEGER	ACCIAIO INOX AISI 304 STAINLESS STEEL AISI 304
11	RONDELLA WASHER	ACCIAIO INOX AISI 304 STAINLESS STEEL AISI 304
12	GUARNIZIONE BACK SEAT	GOMMA EPDM EPDM RUBBER
13	O-RING O-RING	GOMMA EPDM EPDM RUBBER
14	COPERCHIO ANTIPOLVERE DUST PREVENTION COVER	GOMMA EPDM EPDM RUBBER
15	BOCCOLA DI TENUTA PACKING GLAND	OTTONE BRASS
16	VOLANTINO HANDWHEEL	GJS 500 GJS 500

DN	G	K	D	L	H	n-d1		b	M	S	Peso Weight (kg)
						PN10	PN16				
40	84	110	150	140	208	4-ø19	4-ø19	19	200	14	6.2
50	98	125	165	150	224	4-ø19	4-ø19	19	200	14	10.5
65	118	145	185	170	247	4-ø19	4-ø19	19	254	17	13.8
80	132	160	200	180	272	4-ø19	8-ø19	19	254	17	15.5
100	156	180	220	190	303	8-ø19	8-ø19	19	315	19	17.8
125	184	210	250	200	339	8-ø19	8-ø19	19	315	19	25.5
150	211	240	285	210	382	8-ø23	8-ø23	19	315	19	33.5

**RIVESTIMENTO ESTERNO/INTERNO:** Polvere epossidica 3M di colore BLU RAL 5015 con spessore min 250µm.

**SURFACE PROTECTION:** FBE coating process with 3M epoxy resin powder of sky blue color RAL 5015 and minimum thickness of 250µm.

**SARACINESCA CUNEO GOMMATO**  
**SOFT SEATED GATE VALVE**

**PN 10 - Art. A020 T**  
**PN 16 - Art. A021 T**

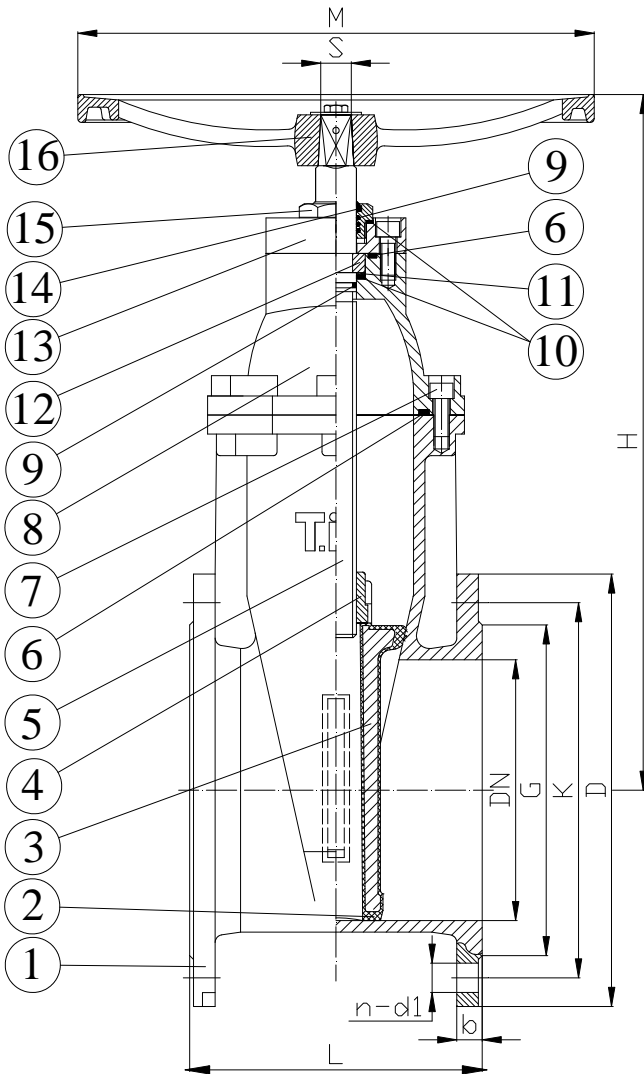
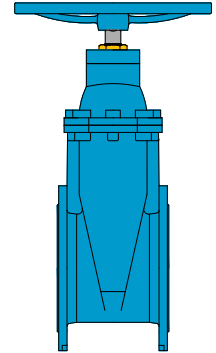
**SARACINESCA CUNEO GOMMATO PN10/16 CORPO PIATTO**  
**SOFT SEATED GATE VALVE PN10/16 SHORT BODY**

**APPLICAZIONE:**

Fornitura e distribuzione acqua, trattamento acque reflue e sistemi fognari, settori industriali.

**APPLICATION:**

Water supply and distribution, waste water treatment and sewerage.



**NORMA PROGETTO:** EN 1171  
 EN 1074-2  
**SCARTAMENTO:** EN 558-1 Serie14  
**FLANGE:** EN 1092-2  
**COLLAUDI:** EN 12266  
**TEMPERATURA ESER:** EPDM ≤ 70°C  
**DESIGN STANDARD:** EN 1171  
 EN 1074-2  
**FACE TO FACE:** EN 558-1 Serie14  
**FLANGES:** EN 1092-2  
**TESTS:** EN 12266  
**WORKING TEMP:** EPDM ≤ 70°C

DENOMINAZIONE PART	MATERIALI MATERIALS
1 CORPO BODY	GJS 500 GJS 500
2 RIVESTIMENTO CUNEO WEDGE	GOMMA EPDM EPDM COATED
3 STRUTT. CUNEO CORE	GJS 500 GJS 500
4 MADREVITE STEM NUT	OTTONE BRASS
5 ASSE STEM	ACCIAIO INOX AISI 420 STAINLESS STEEL AISI 420
6 GUARNIZIONE GASKET	GOMMA EPDM EPDM RUBBER
7 VITE SCREW	ACCIAIO ZINCATO GALVANIZED STEEL
8 CAPPELLO BONNET	GJS 500 GJS 500
9 O-RING O-RING	GOMMA EPDM EPDM RUBBER
10 GUARNIZIONE BACK SEAT	GOMMA EPDM EPDM RUBBER
11 RONDELLA WASHER	ACCIAIO INOX AISI 304 STAINLESS STEEL AISI 304
12 ANELLO HOLDING RING	OTTONE BRASS
13 COPERCHIO COVER	GJS 500 GJS 500
14 COPERCHIO ANTIPOLVERE DUST PREVENTION COVER	GOMMA EPDM EPDM RUBBER
15 BOCCOLA DI TENUTA PACKING GLAND	OTTONE BRASS
16 VOLANTINO HANDWHEEL	GJS 500 GJS 500

**RIVESTIMENTO ESTERNO/INTERNO:** Polvere epossidica 3M di colore BLU RAL 5015 con spessore min 250µm.  
**SURFACE PROTECTION:** FBE coating process with 3M epoxy resin powder of sky blue color RAL 5015 and minimum thickness of 250µm.

DN	G	D		K		L	H	M	n-d1		b	S	W (kg)
		PN 10	PN 16	PN 10	PN 16				PN 10	PN 16			
200	260	340	340	295	295	230	547	406	8-ø23	12-ø23	20	24	64
250	319	395	405	350	355	250	656	500	12-ø23	12-ø28	22	27	100
300	370	445	460	400	410	270	737	500	12-ø23	12-ø28	24.5	27	137

**SARACINESCA CUNEO GOMMATO**  
**SOFT SEATED GATE VALVE**

**PN 10 - Art. A020**  
**PN 16 - Art. A021**

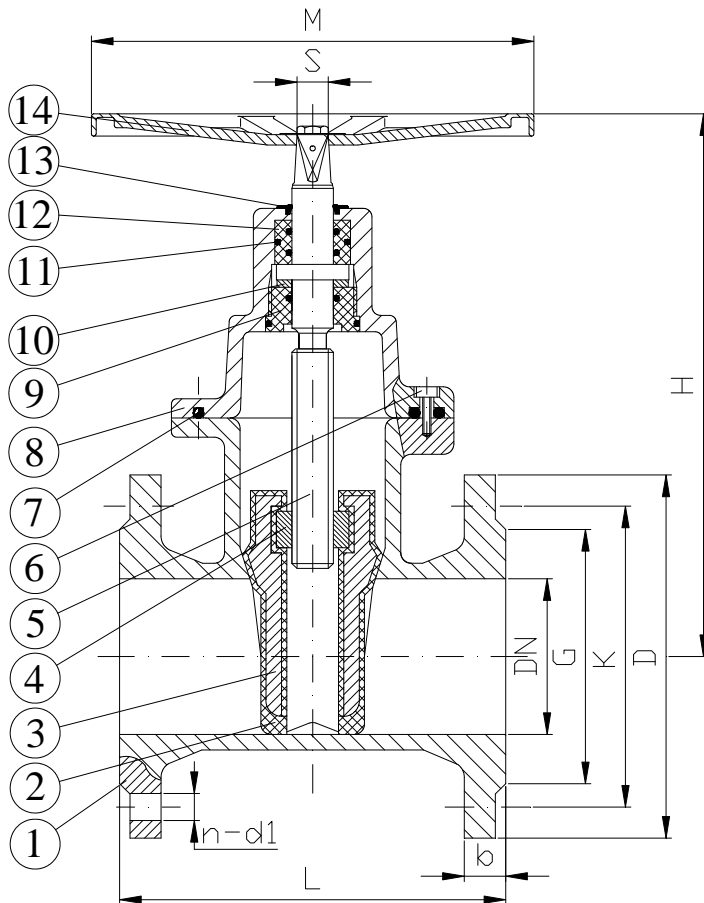
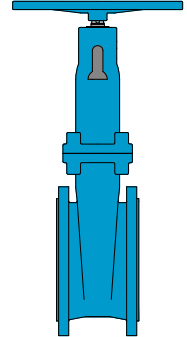
**SARACINESCA CUNEO GOMMATO PN10/16 CORPO PIATTO**  
**SOFT SEATED GATE VALVE PN10/16 SHORT BODY**

**APPLICAZIONE:**

Fornitura e distribuzione acqua, trattamento acque reflue e sistemi fognari, settori industriali.

**APPLICATION:**

Water supply and distribution, waste water treatment and sewerage.



<b>NORMA PROGETTO:</b>	EN 1171 EN 1074-2
<b>SCARTAMENTO:</b>	EN 558-1 Serie14
<b>FLANGE:</b>	EN 1092-2
<b>COLLAUDI:</b>	EN 12266
<b>TEMPERATURA ESER:</b>	EPDM ≤ 70°C
<b>DESIGN STANDARD:</b>	EN 1171 EN 1074-2
<b>FACE TO FACE:</b>	EN 558-1 Serie14
<b>FLANGES:</b>	EN 1092-2
<b>TESTS:</b>	EN 12266
<b>WORKING TEMP:</b>	EPDM ≤ 70°C

DENOMINAZIONE PART	MATERIALI MATERIALS
1 CORPO BODY	GJS 500 GJS 500
2 RIVESTIMENTO CUNEO WEDGE	GOMMA EPDM EPDM COATED
3 STRUTT. CUNEO CORE	GJS 500 GJS 500
4 MADREVITE STEM NUT	LEGA BRONZO ALLUM ALUMINIUM BRONZE
5 ASSE STEM	ACCIAIO INOX AISI 420 STAINLESS STEEL AISI 420
6 VITE SCREW	ACCIAIO ZINCATO GALVANIZED STEEL
7 GUARNIZIONE GASKET	GOMMA EPDM EPDM RUBBER
8 CAPPELLO BONNET	GJS 500 GJS 500
9 BOCCOLA GUIDA GUIDE BUSHING	LEGA BRONZO ALLUM ALUMINIUM BRONZE
10 RONDELLA STEM GASKET	TEFLON PTFE TEFLON PTFE
11 O-RING O-RING	GOMMA EPDM EPDM RUBBER
12 BOCCOLA DI TENUTA O-RING PACKING PLATE	LEGA BRONZO ALLUMINIO ALUMINIUM BRONZE
13 COPERCHIO ANTIPOLVERE DUST PREVENTION COVER	GOMMA EPDM EPDM RUBBER
14 VOLANTINO HANDWHEEL	GJS 500 GJS 500

DN	PN	G	K	D	L	H	M	n-d1	b	S	Weight (kg)
350	10	429	460	505	290	950	500	16-ø23	24.5	27	218
350	16	429	470	520	290	950	500	16-ø28	26.5	27	228

**RIVESTIMENTO ESTERNO/INTERNO:** Polvere epossidica 3M di colore BLU RAL 5015 con spessore min 250µm.  
**SURFACE PROTECTION:** FBE coating process with 3M epoxy resin powder of sky blue color RAL 5015 and minimum thickness of 250µm.

**SARACINESCA CUNEO GOMMATO**  
**SOFT SEATED GATE VALVE**

**PN 10 - Art. A020**

**PN 16 - Art. A021**

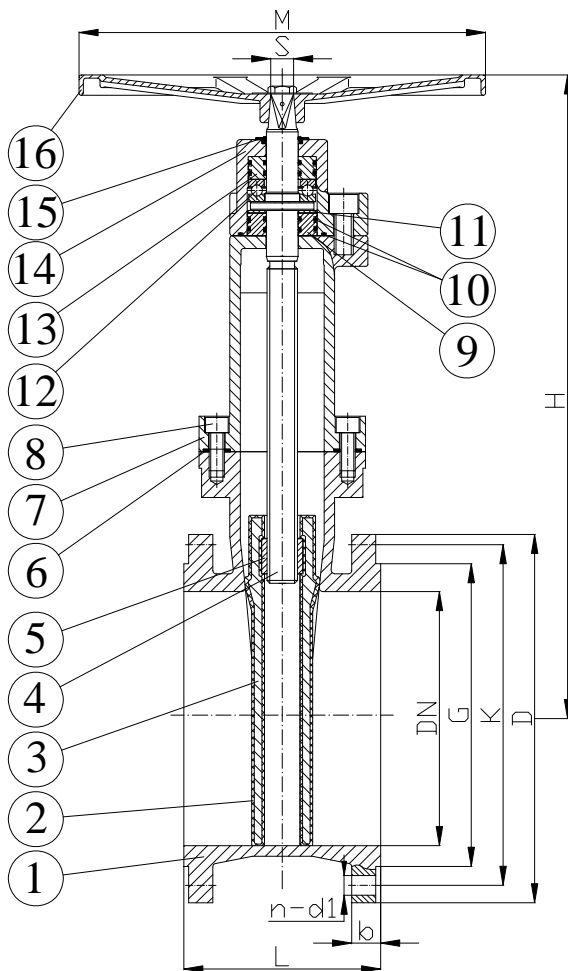
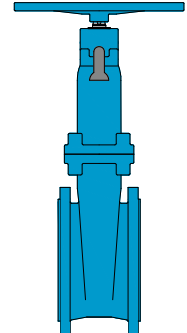
**SARACINESCA CUNEO GOMMATO PN10/16 CORPO PIATTO**  
**SOFT SEATED GATE VALVE PN10/16 SHORT BODY**

**APPLICAZIONE:**

Fornitura e distribuzione acqua, trattamento acque reflue e sistemi fognari, settori industriali.

**APPLICATION:**

Water supply and distribution, waste water treatment and sewerage.



<b>NORMA PROGETTO:</b>	EN 1171 EN 1074-2
<b>SCARTAMENTO:</b>	EN 558-1 Serie14
<b>FLANGE:</b>	EN 1092-2
<b>COLLAUDI:</b>	EN 12266
<b>TEMPERATURA ESER:</b>	EPDM ≤ 70°C
<b>DESIGN STANDARD:</b>	EN 1171 EN 1074-2
<b>FACE TO FACE:</b>	EN 558-1 Serie14
<b>FLANGES:</b>	EN 1092-2
<b>TESTS:</b>	EN 12266
<b>WORKING TEMP:</b>	EPDM ≤ 70°C

DENOMINAZIONE PART	MATERIALI MATERIALS
1 CORPO BODY	GJS 500
2 RIVESTIMENTO CUNEO WEDGE	GOMMA EPDM EPDM COATED
3 STRUTT. CUNEO CORE	GJS 500
4 ASSE STEM	ACCIAIO INOX AISI 420 STAINLESS STEEL AISI 420
5 MADREVITE STEM NUT	LEGA BRONZO ALLUMINIO ALUMINIUM BRONZE
6 GUARNIZIONE GASKET	GOMMA EPDM EPDM RUBBER
7 CAPPELLO BONNET	GJS 500
8 VITE SCREW	ACCIAIO ZINCATO GALVANIZED STEEL
9 BOCCOLA GUIDA GUIDE BUSHING	LEGA BRONZO ALLUMINIO ALUMINIUM BRONZE
10 O-RING O-RING	GOMMA EPDM EPDM RUBBER
11 RONDELLA STEM GASKET	TEFLON TEFLON
12 CUSCINETTO BEARING	—
13 BOCCOLA DI TENUTA O-RING PACKING PLATE	LEGA BRONZO ALLUMINIO ALUMINIUM BRONZE
14 COPERCHIO COVER	GJS 500 GJS 500
15 COPERCHIO ANTIPOLVERE DUST PREVENTION COVER	GOMMA EPDM EPDM RUBBER
16 VOLANTINO HANDWHEEL	GJS 500 GJS 500

DN	PN	G	K	D	L	H	M	n-d1	b	S	W (kg)
400	10	480	515	565	310	1010	500	16-ø28	24.5	32	288
	16	489	525	585	310	1010	500	16-ø31	28	32	304
450	10	530	565	615	330	1080	600	20-ø28	25.5	32	378
	16	548	585	640	330	1080	600	20-ø31	30	32	394
500	10	582	620	670	350	1180	600	20-ø28	26.5	36	498
	16	609	650	715	350	1180	600	20-ø34	31.5	36	518
600	10	682	725	780	390	1345	800	20-ø31	30	41	635
	16	720	770	840	390	1345	800	20-ø37	36	41	670

**RIVESTIMENTO ESTERNO/INTERNO:** Polvere epossidica 3M di colore BLU RAL 5015 con spessore min 250µm.  
**SURFACE PROTECTION:** FBE coating process with 3M epoxy resin powder of sky blue color RAL 5015 and minimum thickness of 250µm.

**SARACINESCA CUNEO GOMMATO**  
**SOFT SEATED GATE VALVE**

**PN 10 - Art. A022 T**  
**PN 16 - Art. A023 T**

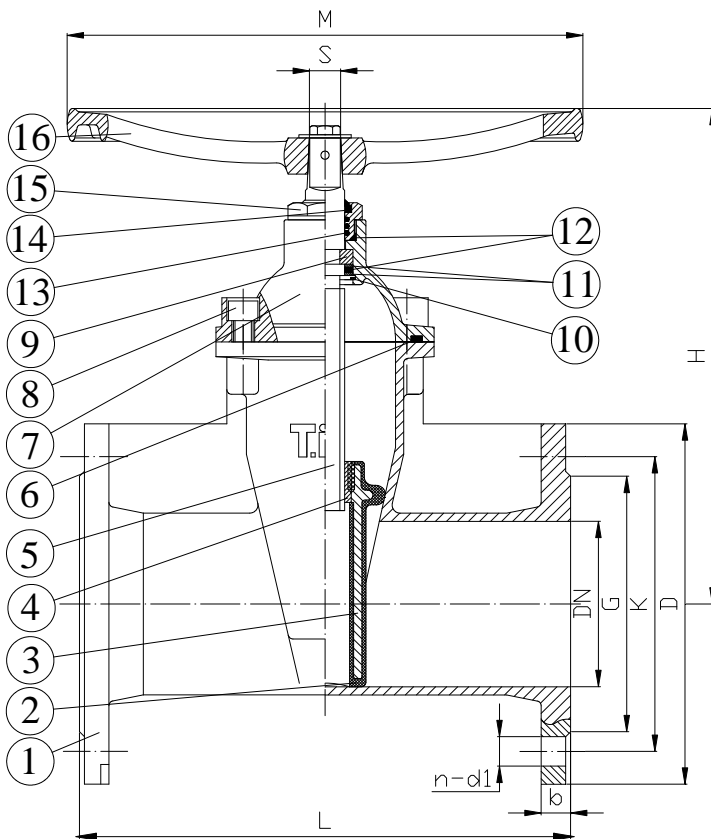
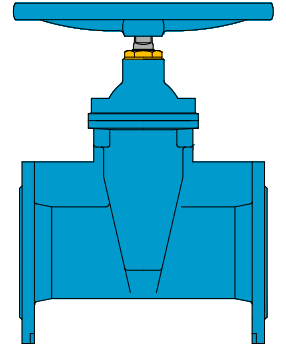
**SARACINESCA CUNEO GOMMATO PN10/16 CORPO OVALE**  
**SOFT SEATED GATE VALVE PN10/16 LONG BODY**

**APPLICAZIONE:**

Fornitura e distribuzione acqua, trattamento acque reflue e sistemi fognari, settori industriali.

**APPLICATION:**

Water supply and distribution, waste water treatment and sewerage.



**NORMA PROGETTO:**

EN 1171

EN 1074-2

**SCARTAMENTO:**

EN 558-1 Serie15

**FLANGE:**

EN 1092-2

**COLLAUDI:**

EN 12266

**TEMPERATURA ESER:**

EPDM ≤ 70°C

**DESIGN STANDARD:**

EN 1171

EN 1074-2

**FACE TO FACE:**

EN 558-1 Serie15

**FLANGES:**

EN 1092-2

**TESTS:**

EN 12266

**WORKING TEMP:**

EPDM ≤ 70°C

PART	DENOMINAZIONE	MATERIALI
1	CORPO BODY	GJS 500
2	RIVESTIMENTO CUNEO WEDGE	GOMMA EPDM EPDM COATED
3	STRUTT. CUNEO CORE	GJS 500
4	MADREVITE STEM NUT	OTTONE BRASS
5	ASSE STEM	ACCIAIO INOX AISI 420 STAINLESS STEEL AISI 420
6	GUARNIZIONE GASKET	GOMMA EPDM EPDM RUBBER
7	CAPPELLO BONNET	GJS 500
8	VITE SCREW	ACCIAIO ZINCATO GALVANIZED STEEL
9	ANELLO HOLDING RING	OTTONE BRASS
10	SIEGER SIEGER	ACCIAIO INOX AISI 304 STAINLESS STEEL AISI 304
11	RONDELLA WASHER	ACCIAIO INOX AISI 304 STAINLESS STEEL AISI 304
12	GUARNIZIONE BACK SEAT	GOMMA EPDM EPDM RUBBER
13	O-RING O-RING	GOMMA EPDM EPDM RUBBER
14	COPERCHIO ANTIPOLVERE DUST PREVENTION COVER	GOMMA EPDM EPDM RUBBER
15	BOCCOLA DI TENUTA PACKING GLAND	OTTONE BRASS
16	VOLANTINO HANDWHEEL	GJS 500

DN	G	K	D	L	H	n-d1		b	M	S	Peso Weight (kg)
						PN10	PN16				
40	84	110	150	240	208	4-ø19	4-ø19	19	200	14	9.5
50	98	125	165	250	224	4-ø19	4-ø19	19	200	14	11.8
65	118	145	185	270	247	4-ø19	4-ø19	19	254	17	15
80	132	160	200	280	272	4-ø19	8-ø19	19	254	17	17.8
100	156	180	220	300	303	8-ø19	8-ø19	19	315	19	21.5
125	184	210	250	325	339	8-ø19	8-ø19	19	315	19	27
150	211	240	285	350	382	8-ø23	8-ø23	19	315	19	38.5

**RIVESTIMENTO ESTERNO/INTERNO:** Polvere epossidica 3M di colore BLU RAL 5015 con spessore min 250µm.

**SURFACE PROTECTION:** FBE coating process with 3M epoxy resin powder of sky blue color RAL 5015 and minimum thickness of 250µm.

**SARACINESCA CUNEO GOMMATO**  
**SOFT SEATED GATE VALVE**

**PN 10 - Art. A022 T**  
**PN 16 - Art. A023 T**

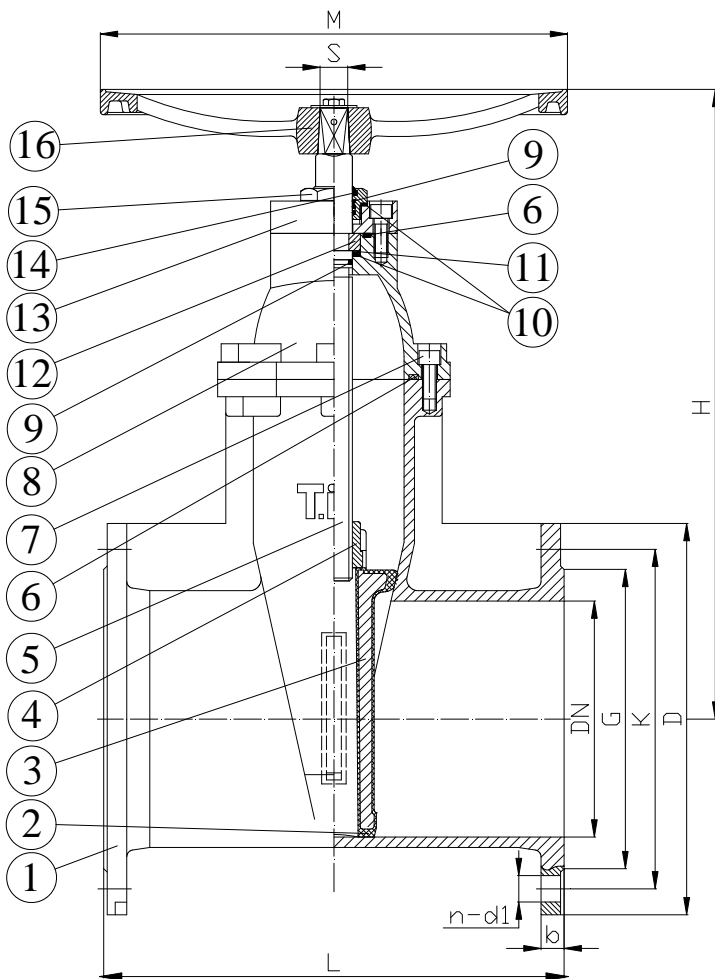
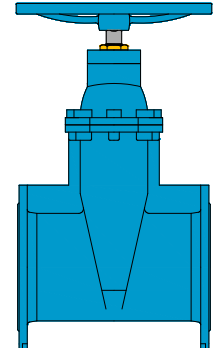
**SARACINESCA CUNEO GOMMATO PN10/16 CORPO OVALE**  
**SOFT SEATED GATE VALVE PN10/16 LONG BODY**

**APPLICAZIONE:**

Fornitura e distribuzione acqua, trattamento acque reflue e sistemi fognari, settori industriali.

**APPLICATION:**

Water supply and distribution, waste water treatment and sewerage.



**NORMA PROGETTO:** EN 1171  
EN 1074-2  
**SCARTAMENTO:** EN 558-1 Serie15  
**FLANGE:** EN 1092-2  
**COLLAUDI:** EN 12266  
**TEMPERATURA ESER:** EPDM ≤ 70°C  
**DESIGN STANDARD:** EN 1171  
EN 1074-2  
**FACE TO FACE:** EN 558-1 Serie15  
**FLANGES:** EN 1092-2  
**TESTS:** EN 12266  
**WORKING TEMP:** EPDM ≤ 70°C

DENOMINAZIONE PART	MATERIALI MATERIALS
1 CORPO BODY	GJS 500 GJS 500
2 RIVESTIMENTO CUNEO WEDGE	GOMMA EPDM EPDM COATED
3 STRUTT. CUNEO CORE	GJS 500 GJS 500
4 MADREVITE STEM NUT	OTTONE BRASS
5 ASSE STEM	ACCIAIO INOX AISI 420 STAINLESS STEEL AISI 420
6 GUARNIZIONE GASKET	GOMMA EPDM EPDM RUBBER
7 VITE SCREW	ACCIAIO ZINCATO GALVANIZED STEEL
8 CAPPELLO BONNET	GJS 500 GJS 500
9 O-RING O-RING	GOMMA EPDM EPDM RUBBER
10 GUARNIZIONE BACK SEAT	GOMMA EPDM EPDM RUBBER
11 RONDELLA WASHER	ACCIAIO INOX AISI 304 STAINLESS STEEL AISI 304
12 ANELLO HOLDING RING	OTTONE BRASS
13 COPERCHIO COVER	GJS 500 GJS 500
14 COPERCHIO ANTIPOLVERE DUST PREVENTION COVER	GOMMA EPDM EPDM RUBBER
15 BOCCOLA DI TENUTA PACKING GLAND	OTTONE BRASS
16 VOLANTINO HANDWHEEL	GJS 500 GJS 500

DN	G	D		K		L	H	M	n-d1		b	S	W (kg)
		PN 10	PN 16	PN 10	PN 16				PN 10	PN 16			
200	260	340	340	295	295	400	547	406	8-ø23	12-ø23	20	24	75
250	319	395	405	350	355	450	656	500	12-ø23	12-ø28	22	27	122
300	370	445	460	400	410	500	737	500	12-ø23	12-ø28	24.5	27	167

**RIVESTIMENTO ESTERNO/INTERNO:** Polvere epossidica 3M di colore BLU RAL 5015 con spessore min 250µm.  
**SURFACE PROTECTION:** FBE coating process with 3M epoxy resin powder of sky blue color RAL 5015 and minimum thickness of 250µm.



**SARACINESCA CUNEO GOMMATO**  
**SOFT SEATED GATE VALVE**

**PN 10 - Art. A022**  
**PN 16 - Art. A023**

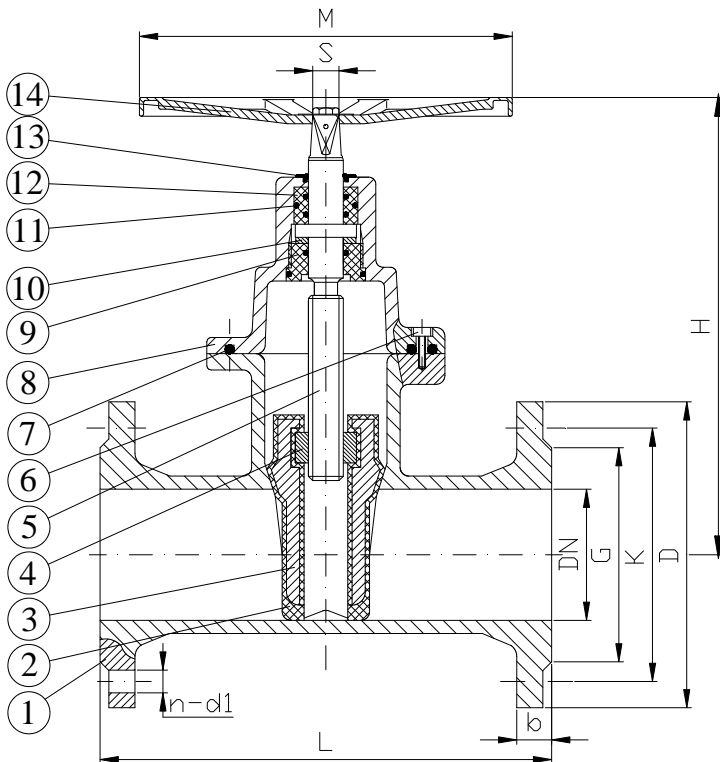
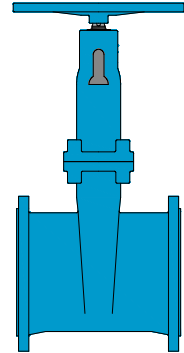
**SARACINESCA CUNEO GOMMATO PN10/16 CORPO OVALE**  
**SOFT SEATED GATE VALVE PN10/16 LONG BODY**

**APPLICAZIONE:**

Fornitura e distribuzione acqua, trattamento acque reflue e sistemi fognari, settori industriali.

**APPLICATION:**

Water supply and distribution, waste water treatment and sewerage.



**NORMA PROGETTO:** EN 1171  
EN 1074-2  
**SCARTAMENTO:** EN 558-1 Serie15  
**FLANGE:** EN 1092-2  
**COLLAUDI:** EN 12266  
**TEMPERATURA ESER:** EPDM ≤ 70°C  
**DESIGN STANDARD:** EN 1171  
EN 1074-2  
**FACE TO FACE:** EN 558-1 Serie15  
**FLANGES:** EN 1092-2  
**TESTS:** EN 12266  
**WORKING TEMP:** EPDM ≤ 70°C

DENOMINAZIONE PART	MATERIALI MATERIALS
1 CORPO BODY	GJS 500 GJS 500
2 RIVESTIMENTO CUNEO WEDGE	GOMMA EPDM EPDM COATED
3 STRUTT. CUNEO CORE	GJS 500 GJS 500
4 MADREVITE STEM NUT	LEGA BRONZO ALLUM ALUMINIUM BRONZE
5 ASSE STEM	ACCIAIO INOX AISI 420 STAINLESS STEEL AISI 420
6 VITE SCREW	ACCIAIO ZINCATO GALVANIZED STEEL
7 GUARNIZIONE GASKET	GOMMA EPDM EPDM RUBBER
8 CAPPELLO BONNET	GJS 500 GJS 500
9 BOCCOLA GUIDA GUIDE BUSHING	LEGA BRONZO ALLUM ALUMINIUM BRONZE
10 RONDELLA STEM GASKET	TEFLON PTFE TEFLON PTFE
11 O-RING O-RING	GOMMA EPDM EPDM RUBBER
12 BOCCOLA DI TENUTA O-RING PACKING PLATE	LEGA BRONZO ALLUMINIO ALUMINIUM BRONZE
13 COPERCHIO ANTIPOLVERE DUST PREVENTION COVER	GOMMA EPDM EPDM RUBBER
14 VOLANTINO HANDWHEEL	GJS 500 GJS 500

DN	PN	G	K	D	L	H	M	n-d1	b	S	Weight (kg)
350	10	429	460	505	550	950	500	16-ø23	24.5	27	250
350	16	429	470	520	550	950	500	16-ø28	26.5	27	265

**RIVESTIMENTO ESTERNO/INTERNO:** Polvere epossidica 3M di colore BLU RAL 5015 con spessore min 250µm.  
**SURFACE PROTECTION:** FBE coating process with 3M epoxy resin powder of sky blue color RAL 5015 and minimum thickness of 250µm.

**SARACINESCA CUNEO GOMMATO**  
**SOFT SEATED GATE VALVE**

**PN 10 - Art. A022**  
**PN 16 - Art. A023**

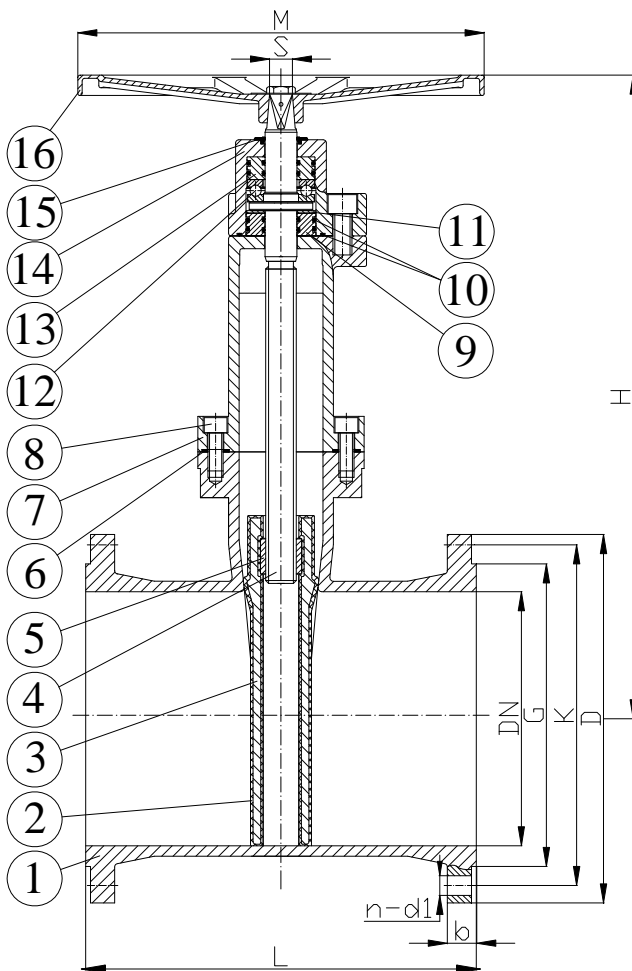
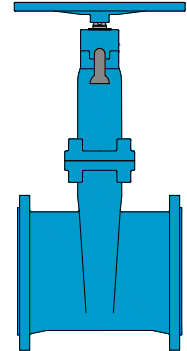
**SARACINESCA CUNEO GOMMATO PN10/16 CORPO OVALE**  
**SOFT SEATED GATE VALVE PN10/16 LONG BODY**

**APPLICAZIONE:**

Fornitura e distribuzione acqua, trattamento acque reflue e sistemi fognari, settori industriali.

**APPLICATION:**

Water supply and distribution, waste water treatment and sewerage.



**NORMA PROGETTO:** EN 1171  
EN 1074-2  
**SCARTAMENTO:** EN 558-1 Serie15  
**FLANGE:** EN 1092-2  
**COLLAUDI:** EN 12266  
**TEMPERATURA ESER:** EPDM ≤ 70°C  
**DESIGN STANDARD:** EN 1171  
EN 1074-2  
**FACE TO FACE:** EN 558-1 Serie15  
**FLANGES:** EN 1092-2  
**TESTS:** EN 12266  
**WORKING TEMP:** EPDM ≤ 70°C

DENOMINAZIONE PART	MATERIALI MATERIALS
1 CORPO BODY	GJS 500
2 RIVESTIMENTO CUNEO WEDGE	GOMMA EPDM EPDM COATED
3 STRUTT. CUNEO CORE	GJS 500
4 ASSE STEM	ACCIAIO INOX AISI 420 STAINLESS STEEL AISI 420
5 MADREVITE STEM NUT	LEGA BRONZO ALLUMINIO ALUMINIUM BRONZE
6 GUARNIZIONE GASKET	GOMMA EPDM EPDM RUBBER
7 CAPPELLO BONNET	GJS 500
8 VITE SCREW	ACCIAIO ZINCATO GALVANIZED STEEL
9 BOCCOLA GUIDA GUIDE BUSHING	LEGA BRONZO ALLUMINIO ALUMINIUM BRONZE
10 O-RING O-RING	GOMMA EPDM EPDM RUBBER
11 RONDELLA STEM GASKET	TEFLON TEFLON
12 CUSCINETTO BEARING	—
13 BOCCOLA DI TENUTA O-RING PACKING PLATE	LEGA BRONZO ALLUMINIO ALUMINIUM BRONZE
14 COPERCHIO COVER	GJS 500 GJS 500
15 COPERCHIO ANTIPOLVERE DUST PREVENTION COVER	GOMMA EPDM EPDM RUBBER
16 VOLANTINO HANDWHEEL	GJS 500 GJS 500

DN	PN	G	K	D	L	H	M	n-d1	b	S	W (kg)
400	10	480	515	565	600	1010	500	16-ø28	24.5	32	320
	16	489	525	585	600	1010	500	16-ø31	28	32	340
450	10	530	565	615	650	1080	600	20-ø28	25.5	32	410
	16	548	585	640	650	1080	600	20-ø31	30	32	430
500	10	582	620	670	700	1180	600	20-ø28	26.5	36	530
	16	609	650	715	700	1180	600	20-ø34	31.5	36	560
600	10	682	725	780	800	1345	800	20-ø31	30	41	680
	16	720	770	840	800	1345	800	20-ø37	36	41	715

**RIVESTIMENTO ESTERNO/INTERNO:** Polvere epossidica 3M di colore BLU RAL 5015 con spessore min 250µm.  
**SURFACE PROTECTION:** FBE coating process with 3M epoxy resin powder of sky blue color RAL 5015 and minimum thickness of 250µm.



**SARACINESCA CUNEO GOMMATO**  
**SOFT SEATED GATE VALVE**

**PN 25 - Art. A025 T**

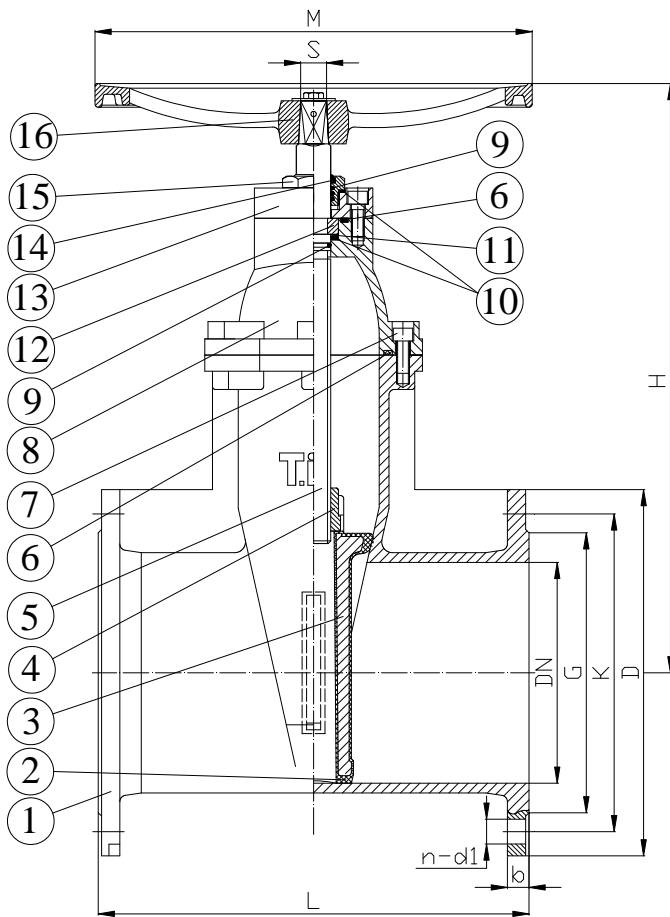
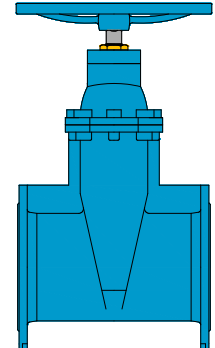
**SARACINESCA CUNEO GOMMATO PN25 CORPO OVALE**  
**SOFT SEATED GATE VALVE PN25 OVAL BODY**

**APPLICAZIONE:**

Fornitura e distribuzione acqua, trattamento acque reflue e sistemi fognari, settori industriali.

**APPLICATION:**

Water supply and distribution, waste water treatment and sewerage.



**NORMA PROGETTO:** EN 1171  
EN 1074-2  
**SCARTAMENTO:** EN 558-1 Serie15  
**FLANGE:** EN 1092-2  
**COLLAUDI:** EN 12266  
**TEMPERATURA ESER:** EPDM ≤ 70°C  
**DESIGN STANDARD:** EN 1171  
EN 1074-2  
**FACE TO FACE:** EN 558-1 Serie15  
**FLANGES:** EN 1092-2  
**TESTS:** EN 12266  
**WORKING TEMP:** EPDM ≤ 70°C

DENOMINAZIONE PART	MATERIALI MATERIALS
1 CORPO BODY	GJS 500 GJS 500
2 RIVESTIMENTO CUNEO WEDGE	GOMMA EPDM EPDM COATED
3 STRUTT. CUNEO CORE	GJS 500 GJS 500
4 MADREVITE STEM NUT	OTTONE BRASS
5 ASSE STEM	ACCIAIO INOX AISI 420 STAINLESS STEEL AISI 420
6 GUARNIZIONE GASKET	GOMMA EPDM EPDM RUBBER
7 VITE SCREW	ACCIAIO ZINCATO GALVANIZED STEEL
8 CAPPELLO BONNET	GJS 500 GJS 500
9 O-RING O-RING	GOMMA EPDM EPDM RUBBER
10 GUARNIZIONE BACK SEAT	GOMMA EPDM EPDM RUBBER
11 RONDELLA WASHER	ACCIAIO INOX AISI 304 STAINLESS STEEL AISI 304
12 ANELLO HOLDING RING	OTTONE BRASS
13 COPERCHIO COVER	GJS 500 GJS 500
14 COPERCHIO ANTIPOLVERE DUST PREVENTION COVER	GOMMA EPDM EPDM RUBBER
15 BOCCOLA DI TENUTA PACKING GLAND	OTTONE BRASS
16 VOLANTINO HANDWHEEL	GJS 500 GJS 500

DN	G	K	D	L	H	M	n-d1	b	S	Weight (kg)
50	98	125	165	250	288	200	4-ø19	19	14	14.5
65	118	145	185	270	329	254	8-ø19	19	17	20.3
80	132	160	200	280	351	254	8-ø19	19	17	22.8
100	156	190	235	300	373	315	8-ø23	19	19	28
125	184	220	270	325	420	315	8-ø28	19	19	46.5
150	211	250	300	350	481	315	8-ø28	20	19	48.5
200	274	310	360	400	547	406	12-ø28	22	24	75
250	330	370	425	450	656	500	12-ø31	24.5	27	122.5
300	380	430	485	500	737	500	16-ø31	27.5	27	167

**RIVESTIMENTO ESTERNO/INTERNO:** Polvere epossidica 3M di colore BLU RAL 5015 con spessore min 250µm.  
**SURFACE PROTECTION:** FBE coating process with 3M epoxy resin powder of sky blue color RAL 5015 and minimum thickness of 250µm.

# SARACINESCA CUNEO GOMMATO

## SOFT SEATED GATE VALVE

PN 10 Serie 14 - Art. A020 PMOT

PN 16 Serie 14 - Art. A021 PMOT

PN 10 Serie 15 - Art. A022 PMOT

PN 16 Serie 15 - Art. A023 PMOT

### SARACINESCA CUNEO GOMMATO PREDISPOSTA PER LA MOTORIZZAZIONE

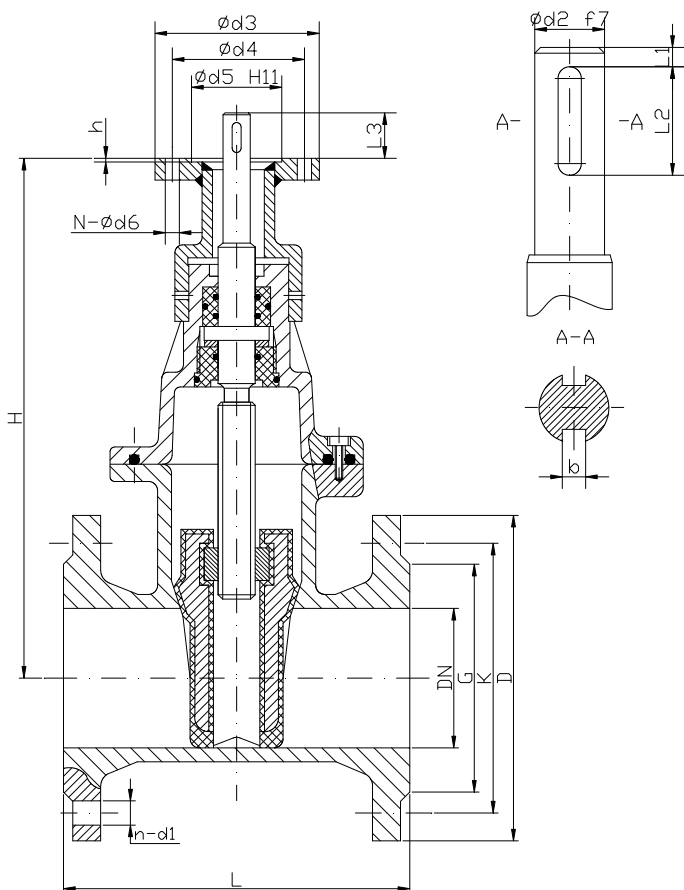
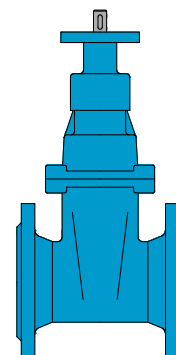
### SOFT SEATED GATE VALVE WITH MOTOR DRIVE PREARRANGEMENT

#### APPLICAZIONE:

Fornitura e distribuzione acqua, trattamento acque reflue e sistemi fognari, settori industriali.

#### APPLICATION:

Water supply and distribution, waste water treatment and sewerage.



#### NORMA PROGETTO:

EN 1171  
EN 1074-2

#### SCARTAMENTO:

EN 558-1 Serie14-15

#### FLANGE:

EN 1092-2

#### COLLAUDI:

EN 12266

#### TEMPERATURA ESER:

EPDM  $\leq 70^{\circ}\text{C}$

#### DESIGN STANDARD:

EN 1171  
EN 1074-2

#### FACE TO FACE:

EN 558-1 Serie14-15

#### FLANGES:

EN 1092-2

#### TESTS:

EN 12266

#### WORKING TEMP:

EPDM  $\leq 70^{\circ}\text{C}$

#### VALORI DI COPPIA PER PN16 TORQUE VALUES FOR PN16

DN	COPPIA/ TORQUE (Nm)	DN	COPPIA/ TORQUE (Nm)
50	54	250	240
65	60	300	252
80	78	350	270
100	96	400	378
125	120	450	500
150	156	500	630
200	192	600	720

**RIVESTIMENTO ESTERNO/INTERNO:** Polvere epossidica 3M di colore BLU RAL 5015 con spessore min 250 $\mu\text{m}$ .

**SURFACE PROTECTION:** FBE coating process with 3M epoxy resin powder of sky blue color RAL 5015 and minimum thickness of 250 $\mu\text{m}$ .

DN	G		K		D		L		H	n-d1		d2	d3	d4	d5	N-d6	L1	L2	L3	b	h	AUMA actuator
	PN10	PN16	PN10	PN16	PN10	PN16	S14	S15		PN10	PN16											
50	99	99	125	125	165	165	150	250	227	4- $\phi$ 19	4- $\phi$ 19	20	125	102	71	4- $\phi$ 12	5	36	45	6	4	SA07.5
65	118	118	145	145	185	185	170	270	251	4- $\phi$ 19	4- $\phi$ 19	20	125	102	71	4- $\phi$ 12	5	36	45	6	4	SA07.5
80	132	132	160	160	200	200	180	280	282	4- $\phi$ 19	8- $\phi$ 19	22	125	102	71	4- $\phi$ 12	5	36	45	6	4	SA10.1
100	156	156	180	180	220	220	190	300	319	8- $\phi$ 19	8- $\phi$ 19	22	125	102	71	4- $\phi$ 12	5	36	45	6	4	SA10.1
125	184	184	210	210	250	250	200	325	421	8- $\phi$ 19	8- $\phi$ 19	22	125	102	71	4- $\phi$ 12	5	36	45	6	4	SA10.1
150	211	211	240	240	290	290	210	350	424	8- $\phi$ 23	8- $\phi$ 23	28	175	140	100	4- $\phi$ 18	5	40	50	8	5	SA14.1
200	266	266	295	295	340	340	230	400	526	8- $\phi$ 23	12- $\phi$ 23	28	175	140	100	4- $\phi$ 18	5	40	50	8	5	SA14.1
250	319	319	350	355	395	405	250	450	616	12- $\phi$ 23	12- $\phi$ 28	32	175	140	100	4- $\phi$ 18	5	45	55	10	5	SA14.1
300	370	370	400	410	445	460	270	500	708	12- $\phi$ 23	12- $\phi$ 28	40	175	140	100	4- $\phi$ 18	5	50	60	12	5	SA14.5
350	429	429	460	470	505	520	290	550	845	16- $\phi$ 23	16- $\phi$ 28	40	175	140	100	4- $\phi$ 18	5	50	60	12	5	SA14.5
400	480	489	515	525	565	580	310	600	992	16- $\phi$ 28	16- $\phi$ 31	45	175	140	100	4- $\phi$ 18	6	50	60	12	5	SA14.5
450	530	548	565	585	615	640	330	650	1078	20- $\phi$ 28	20- $\phi$ 31	45	175	140	100	4- $\phi$ 18	6	50	60	12	5	SA14.5
500	582	609	620	650	670	715	350	700	1162	20- $\phi$ 28	20- $\phi$ 34	50	210	165	130	4- $\phi$ 20	6	63	75	14	6	SA16.1
600	682	720	725	770	780	840	390	800	1353	20- $\phi$ 31	20- $\phi$ 37	50	210	165	130	4- $\phi$ 20	6	63	75	14	6	SA16.1

**SARACINESCA CUNEO GOMMATO**  
**SOFT SEATED GATE VALVE**  
**PN 10 Serie 14 - Art. A020**  
**PN 16 Serie 14 - Art. A021**  
**PN 10 Serie 15 - Art. A022**  
**PN 16 Serie 15 - Art. A023**

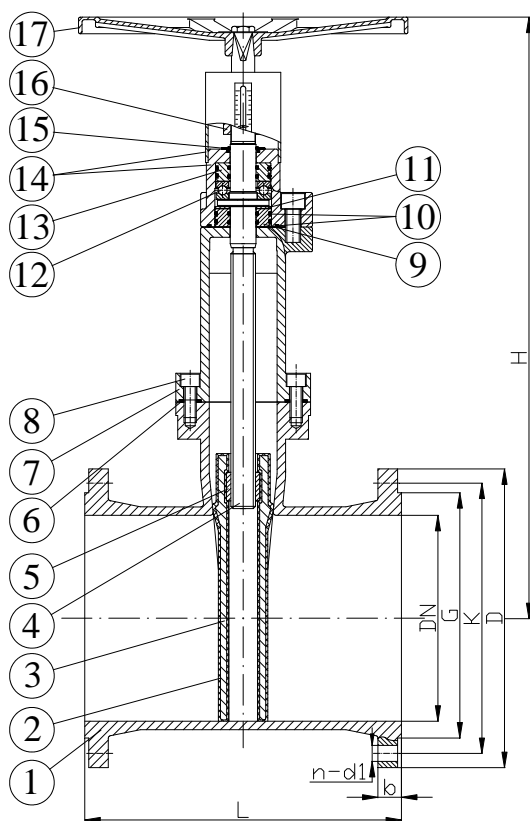
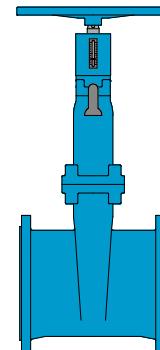
**SARACINESCA CUNEO GOMMATO CON INDICATORE DI POSIZIONE**  
**SOFT SEATED GATE VALVE WITH MECHANICAL POSITION INDICATOR**

**APPLICAZIONE:**

Fornitura e distribuzione acqua, trattamento acque reflue e sistemi fognari, settori industriali.

**APPLICATION:**

Water supply and distribution, waste water treatment and sewerage.



<b>NORMA PROGETTO:</b>	EN 1171 EN 1074-2
<b>SCARTAMENTO:</b>	EN 558-1 Serie14-15
<b>FLANGE:</b>	EN 1092-2
<b>COLLAUDI:</b>	EN 12266
<b>TEMPERATURA ESER:</b>	EPDM ≤ 70°C
<b>DESIGN STANDARD:</b>	EN 1171 EN 1074-2
<b>FACE TO FACE:</b>	EN 558-1 Serie14-15
<b>FLANGES:</b>	EN 1092-2
<b>TESTS:</b>	EN 12266
<b>WORKING TEMP:</b>	EPDM ≤ 70°C

DENOMINAZIONE PART	MATERIALI MATERIALS
1 CORPO BODY	GJS 500 GJS 500
2 RIVESTIMENTO CUNEO WEDGE	GOMMA EPDM EPDM COATED
3 STRUTT. CUNEO CORE	GJS 500 GJS 500
4 ASSE STEM	ACCIAIO INOX AISI 420 STAINLESS STEEL AISI 420
5 MADREVITE STEM NUT	LEGA BRONZO ALLUMINIO ALUMINIUM BRONZE
6 GUARNIZIONE GASKET	GOMMA EPDM EPDM RUBBER
7 CAPPELLO BONNET	GJS 500 GJS 500
8 VITE SCREW	ACCIAIO ZINCATO GALVANIZED STEEL
9 BOCCOLA GUIDA GUIDE BUSHING	LEGA BRONZO ALLUMINIO ALUMINIUM BRONZE
10 O-RING O-RING	GOMMA EPDM EPDM RUBBER
11 RONDELLA STEM GASKET	TEFLON TEFLON
12 CUSCINETTO BEARING	—
13 BOCCOLA DI TENUTA O-RING PACKING PLATE	LEGA BRONZO ALLUMINIO ALUMINIUM BRONZE
14 COPERCHIO COVER	GJS 500 GJS 500
15 COPERCHIO DUST PREVENTION COVER	GOMMA EPDM EPDM RUBBER
16 BOCCOLA INDICATRICE INDICATOR NUT	LEGA BRONZO ALLUMINIO ALUMINIUM BRONZE
17 VOLANTINO HANDWHEEL	GJS 500 GJS 500

DN	G		K		D		L		H	n-d1		b		Weight (kg)			
	PN 10	PN 16	PN 10	PN 16	PN 10	PN 16	F4	F5		PN10	PN16	PN 10	PN 16	PN 10	PN 16	PN 10	PN 16
	Serie14 Serie15																
50	99	99	125	125	165	165	150	250	260	4-ø19	4-ø19	19	19	13	13	15	15
65	118	118	145	145	185	185	170	270	270	4-ø19	4-ø19	19	19	15	15	18	18
80	132	132	160	160	200	200	180	280	310	8-ø19	8-ø19	19	19	20	20	24	24
100	156	156	180	180	220	220	190	300	340	8-ø19	8-ø19	19	19	28	28	32	32
125	184	184	210	210	250	250	200	325	450	8-ø19	8-ø19	19	19	44	44	48	48
150	211	211	240	240	285	285	210	350	460	8-ø23	8-ø23	19	19	50	50	56	56
200	266	266	295	295	340	340	230	400	570	8-ø23	8-ø23	20	20	82	85	90	96
250	319	319	400	410	395	405	250	450	660	12-ø23	12-ø28	22	22	125	132	140	152
300	370	370	565	585	445	460	270	500	770	12-ø23	12-ø28	24.5	24.5	170	178	191	210
350	429	429	460	470	505	520	290	550	870	16-ø23	16-ø28	24.5	26.5	218	228	250	265
400	480	489	515	525	565	580	310	600	1010	16-ø28	16-ø31	24.5	28	288	304	320	340
450	530	548	565	585	615	640	330	650	1080	20-ø28	20-ø31	25.5	30	378	394	410	430
500	582	609	620	650	670	715	350	700	1180	20-ø28	20-ø34	26.5	31.5	498	518	530	560
600	682	720	725	770	840	725	390	800	1345	20-ø31	20-ø37	30	36	635	670	680	715

**RIVESTIMENTO ESTERNO/INTERNO:** Polvere epossidica 3M di colore BLU RAL 5015 con spessore min 250µm.

**SURFACE PROTECTION:** FBE coating process with 3M epoxy resin powder of sky blue color RAL 5015 and minimum thickness of 250µm.

**SARACINESCA CUNEO GOMMATO**  
**SOFT SEATED GATE VALVE**

**PN 10 Serie 14 - Art. A020**  
**PN 16 Serie 14 - Art. A021**  
**PN 10 Serie 15 - Art. A022**  
**PN 16 Serie 15 - Art. A023**

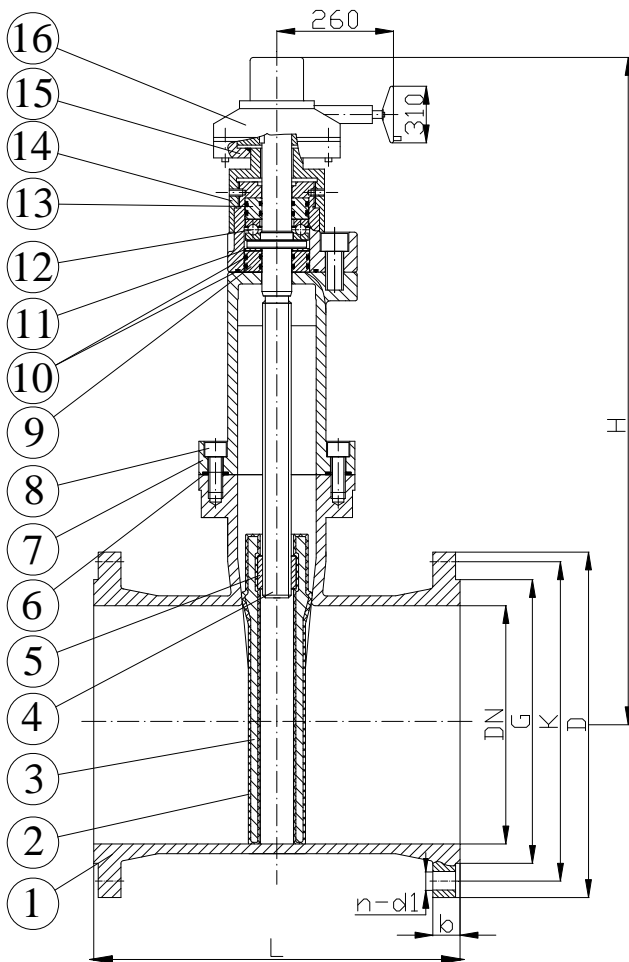
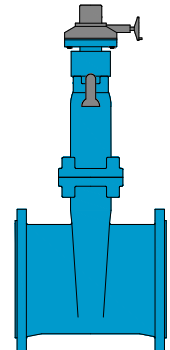
**SARACINESCA CUNEO GOMMATO CON RIDUTTORE DI SFORZO**  
**SOFT SEATED GATE VALVE WITH GEAR BOX**

**APPLICAZIONE:**

Fornitura e distribuzione acqua, trattamento acque reflue e sistemi fognari, settori industriali.

**APPLICATION:**

Water supply and distribution, waste water treatment and sewerage.



**NORMA PROGETTO:**

EN 1171

EN 1074-2

**SCARTAMENTO:**

EN 558-1 Serie14-15

**FLANGE:**

EN 1092-2

**COLLAUDI:**

EN 12266

**TEMPERATURA ESER:**

EPDM ≤ 70°C

**DESIGN STANDARD:**

EN 1171

EN 1074-2

**FACE TO FACE:**

EN 558-1 Serie14-15

**FLANGES:**

EN 1092-2

**TESTS:**

EN 12266

**WORKING TEMP:**

EPDM ≤ 70°C

DENOMINAZIONE PART	MATERIALI MATERIALS
1 CORPO BODY	GJS 500 GJS 500
2 RIVESTIMENTO CUNEO WEDGE	GOMMA EPDM EPDM COATED
3 STRUTT. CUNEO CORE	GJS 500 GJS 500
4 ASSE STEM	ACCIAIO INOX AISI 420 STAINLESS STEEL AISI 420
5 MADREVITE STEM NUT	LEGA BRONZO ALLUMINIO ALUMINIUM BRONZE
6 GUARNIZIONE GASKET	GOMMA EPDM EPDM RUBBER
7 CAPPELLO BONNET	GJS 500 GJS 500
8 VITE SCREW	ACCIAIO ZINCATO GALVANIZED STEEL
9 BOCCOLA GUIDA GUIDE BUSHING	LEGA BRONZO ALLUMINIO ALUMINIUM BRONZE
10 O-RING O-RING	GOMMA EPDM EPDM RUBBER
11 RONDELLA STEM GASKET	TEFLON TEFLON
12 CUSCINETTO BEARING	—
13 BOCCOLA DI TENUTA O-RING PACKING PLATE	LEGA BRONZO ALLUMINIO ALUMINIUM BRONZE
14 COPERCHIO COVER	GJS 500 GJS 500
15 FLANGIA DI CONESS. CONNECTING FLANGE	ACCIAIO STEEL
16 RIDUTTORE GEAR BOX	GHISA CAST IRON

DN	Se- rie	PN	G	K	D	L	H	b	n-d1	Weight (kg)
500	S14	10	582	620	670	350	1180	26.5	20-ø28	489
		16	609	650	715	350	1180	31.5	20-ø34	518
	S15	10	582	620	670	700	1180	26.5	20-ø28	530
		16	609	650	715	700	1180	31.5	20-ø34	560
600	S14	10	682	725	780	390	1345	30	20-ø31	635
		16	720	770	840	390	1345	36	20-ø37	670
	S15	10	682	725	780	800	1345	30	20-ø31	680
		16	720	770	840	800	1345	36	20-ø37	715

**RIVESTIMENTO ESTERNO/INTERNO:** Polvere epossidica 3M di colore BLU RAL 5015 con spessore min 250µm.

**SURFACE PROTECTION:** FBE coating process with 3M epoxy resin powder of sky blue color RAL 5015 and minimum thickness of 250µm.

**SARACINESCA CUNEO GOMMATO**  
**SOFT SEATED GATE VALVE**

**PN 10 - Art. A022 BP**  
**PN 16 - Art. A023 BP**

**SARACINESCA CUNEO GOMMATO CORPO OVALE CON RIDUTTORE DI SFORZO E BY-PASS**  
**SOFT SEATED GATE VALVE LONG BODY WITH GEAR BOX AND BY-PASS**

**APPLICAZIONE:**

Fornitura e distribuzione acqua, trattamento acque reflue e sistemi fognari, settori industriali.

**APPLICATION:**

Water supply and distribution, waste water treatment and sewerage.

**NORMA PROGETTO:**

EN 1171  
EN 1074-2  
EN 558-1 Serie 15  
EN 1092-2  
EN 12266  
EPDM ≤ 70°C

**DESIGN STANDARD:**

EN 1171  
EN 1074-2  
EN 558-1 Serie 15  
EN 1092-2  
EN 12266  
EPDM ≤ 70°C

**SCARTAMENTO:**

**FLANGE:**

**COLLAUDI:**

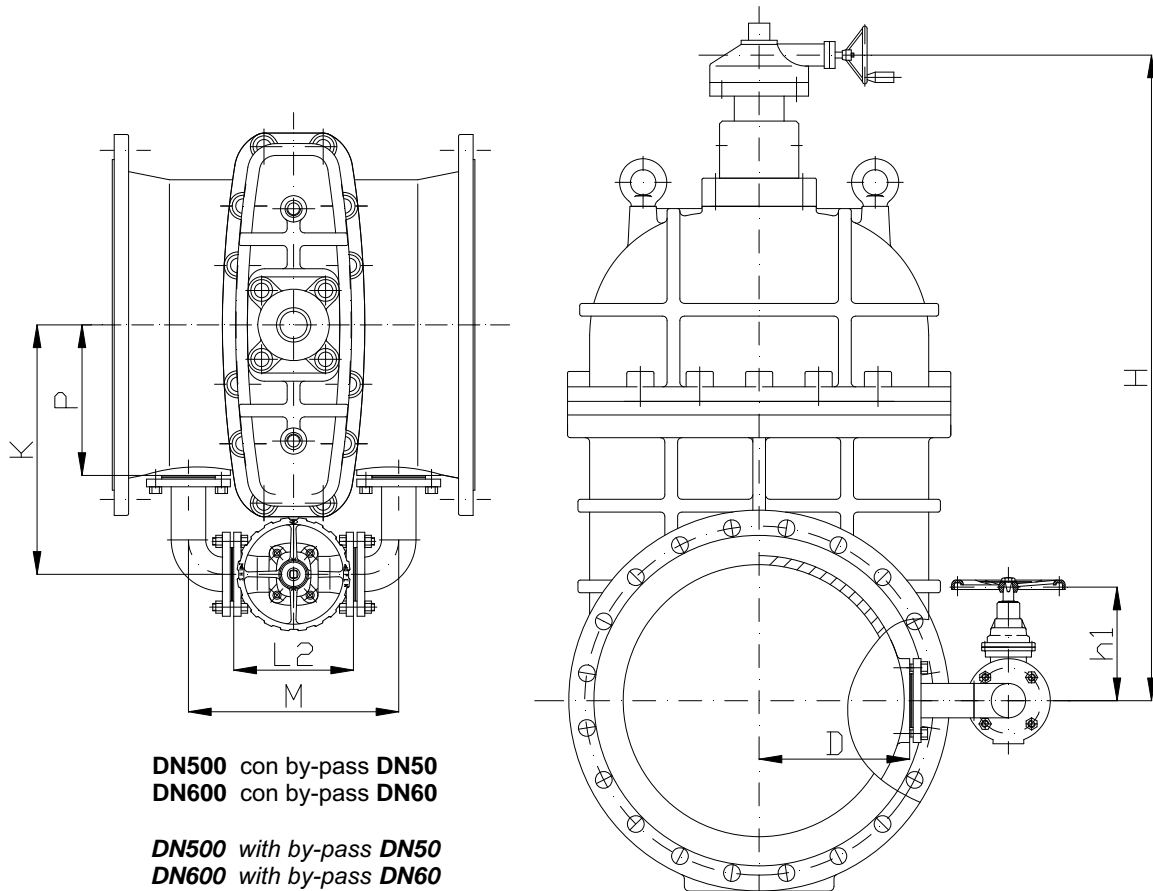
**TEMPERATURA ESER:**

**FACE TO FACE:**

**FLANGES:**

**TESTS:**

**WORKING TEMP:**



**DN500 con by-pass DN50**  
**DN600 con by-pass DN60**

**DN500 with by-pass DN50**  
**DN600 with by-pass DN60**

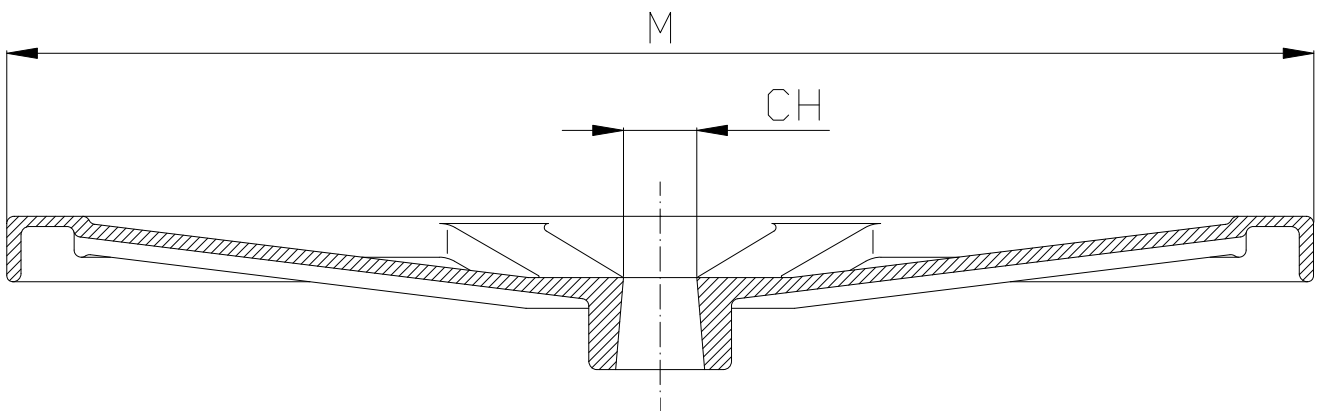
DN	K	P	H	M	L2	D	h1
500	490	300	1350	420	250	280	260
600	550	355	1445	464	270	335	270

**RIVESTIMENTO ESTERNO/INTERNO:** Polvere epossidica 3M di colore BLU RAL 5015 con spessore min 250µm.  
**SURFACE PROTECTION:** FBE coating process with 3M epoxy resin powder of sky blue color RAL 5015 and minimum thickness of 250µm.

**SARACINESCA CUNEO GOMMATO**  
**SOFT SEATED GATE VALVE**

- Art. 082006

**VOLANTINO PER SARACINESCA A CUNEO GOMMATO**  
**HANDWHEEL FOR SOFT SEATED GATE VALVE**



DN	M	CH	n°Giri per Chiudere No. of Turns to Close
40	200	14	11
50	200	14	14
65	254	17	18
80	254	17	18
100	315	19	22
125	315	19	26
150	315	19	31
200	406	24	17.5
250	500	27	22
300	500	27	26
350	500	27	
400	500	32	
450	600	32	
500	600	36	
600	800	41	

DENOMINAZIONE PART	MATERIALI MATERIALS
VOLANTINO HANDWHEEL	GJS 500 GJS 500

**RIVESTIMENTO ESTERNO/INTERNO:** Polvere epossidica 3M di colore BLU RAL 5015 con spessore min 250µm.  
**SURFACE PROTECTION:** FBE coating process with 3M epoxy resin powder of sky blue color RAL 5015 and minimum thickness of 250µm.